

# X3-Lite

## Enduring High Performance LED Light

### Instruction Manual

Thank you for choosing the X3-Lite professional LED Light from IDX. Please utilize this manual for optimal use and care of your X3-Lite and keep for later reference.

#### Features

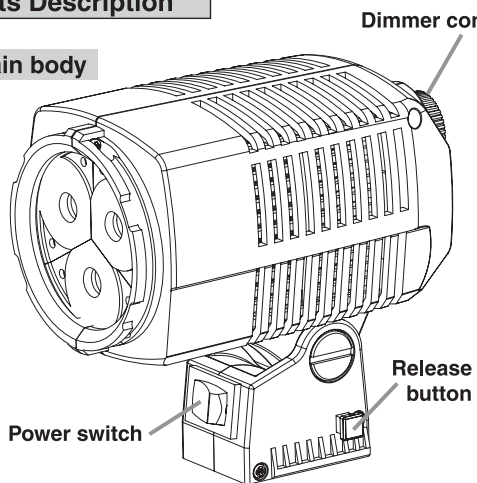
- IDX's unique LED X3-Lite offers the approximate equivalent illumination given by a 35W halogen lamp from a power consumption of just 11W, saving battery capacity and prolonging battery life. The light brightness is seamlessly adjustable from 100% - 0% and unlike halogen bulbs the X3-Lite retains a constant colour temperature regardless of battery voltage drop.
- The encapsulated LEDs have an extensive life of 10,000 hours and are protected in a sealed scratch and weather resistant lens making the X3-Lite maintenance free.

#### Specifications

- Input voltage : DC 11.0V ~ DC 17.0V
- Power consumption : 11W max (at 100% light output)
- Brightness : 300 lx @ 1m
- Dimmer control : 100% ~ 0%
- Beam angle : 40°
- Colour temperature : 5600K 'Daylight'
- Dimensions : 67(W)×124(H)×114(D)mm  
2.68(W)×4.96(H)×4.56(D) inches
- Weight : approx. 300 g / 0.67 lb

#### Parts Description

##### Main body



Dimmer control dial

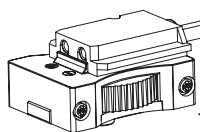
Release button

Power switch

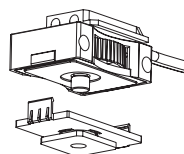
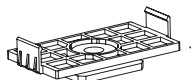
The X3-Lite has a one-touch 'hot-shoe' design, allowing the light to be easily and quickly connected. The hot-shoe attachment can remain securely fitted to a camera handle or tripod, and the main body can be easily removed for transport and protection.

The X3-Lite can fit to a wide range of cameras and tripods via either its slide-shoe or thread mount attachments. If using the thread mount, first remove the slide-shoe fitting by unscrewing and releasing the lugs at both ends of the shoe (keep it in a safe place for later use). (Note: Always check polarity of the supplied power before connection)

##### 'Hot-shoe' attachment (with thread fit)

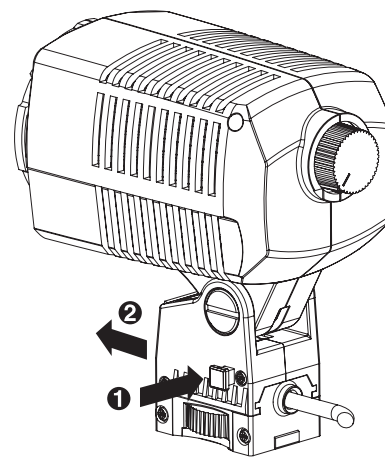


##### Slide-shoe fitting



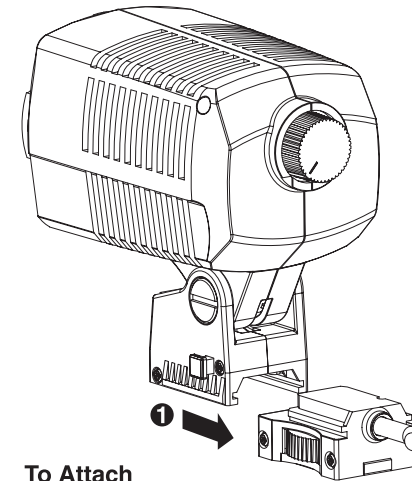
D-Tap connector allows the power cable to be fitted to either direction.

#### One-Touch Attachment



##### To Release

Push and hold the release button on the side of the light and slide the light main body forward.



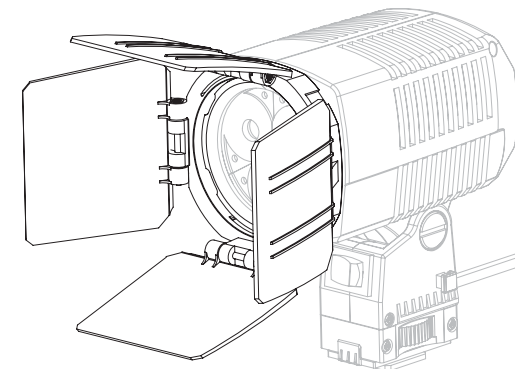
##### To Attach

Slide the main body, following the guides of the hot-shoe attachment until you can hear a click confirming the light is securely locked.

#### Optional Accessory

##### Barn Door

An optional 4 leaf barn door accessory is available. This is a one-touch twist and lock fitting for easy and fast operation.



•D-X Company Ltd. : 6-28-11 Shukugawara, Tama-ku, Kawasaki-shi, Kanagawa-ken 214-0021, Japan

Tel : 81-44-850-8801 Fax : 81-44-850-8838 E-mail : idx.japan@idx.tv

•D-X System Technology : 1602 Lockness Place, Torrance, CA 90501 U.S.A. Tel : 1-310-891-2800 Fax : 1-310-891-3600 E-mail : idx.usa@idx.tv

•D-X Technology Europe Ltd. : Unit 34, Metropolitan Centre, 3 Taunton Road, Greenford, Middlesex UB6 8UQ, England

Tel : 44-20-8813-1666 Fax : 44-20-8813-1777 E-mail : idx.europe@idx.tv

20050105