



A-MWR Wireless Receiver Mounting Bracket

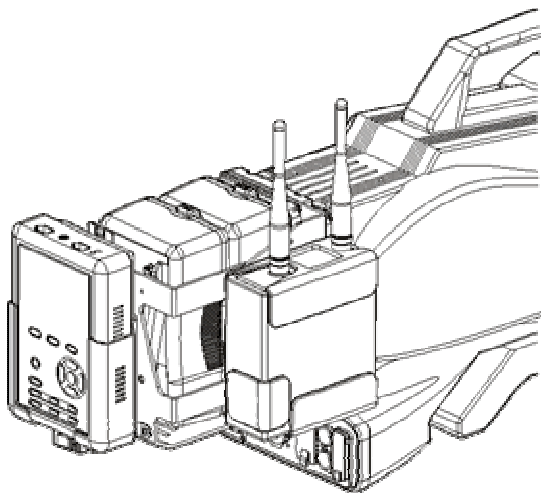


The A-MWR attaches directly to a V-Mount type camera without using screws; adjustable to four positions and allows PowerLink capability. Wireless receiver and HDD can be attached to either side of the bracket; D-Tap connector included. Fits most professional cameras.



A-MWR Features:

- Mount wireless receiver or accessory on side or back
- Mounts directly to an existing V-Mount
- Retractable bracket enables all IDX batteries to mount, even in PowerLink
- D-Tap power output available on battery plate



Technical Specification:

Maximum D-Tap Output:

4.16A/50W

Maximum Total Output:

10A/120W

Dimensions:

115(W) x 153(H) x 102-153(D) mm
4.53(W) x 6.02(H) x 4.02-6.02(D) inch

Weight:

520g / 1.14lbs approx.

IDX System Technology, Inc.
19001 Harborage Way, Suite 105
Torrance, Ca 90501
U.S.A.
Telephone: (310) 328-2850
Fax: (310) 328-8202



For further information email: idx.usa@idx.tv or visit our website www.idxtek.com
IDX reserves the right to change the specifications contained herein without notice.